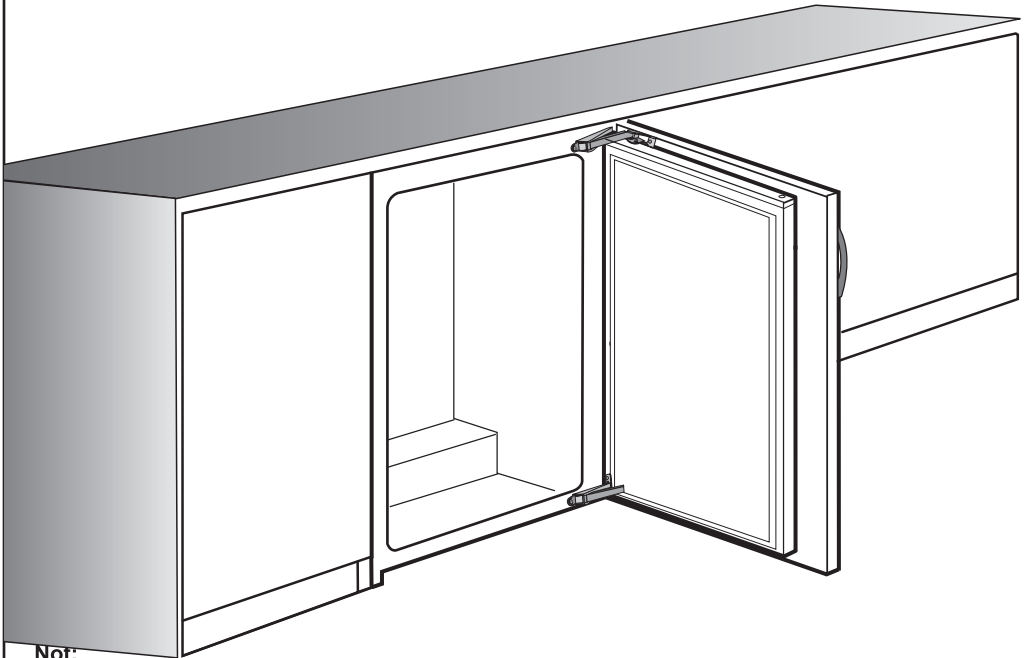


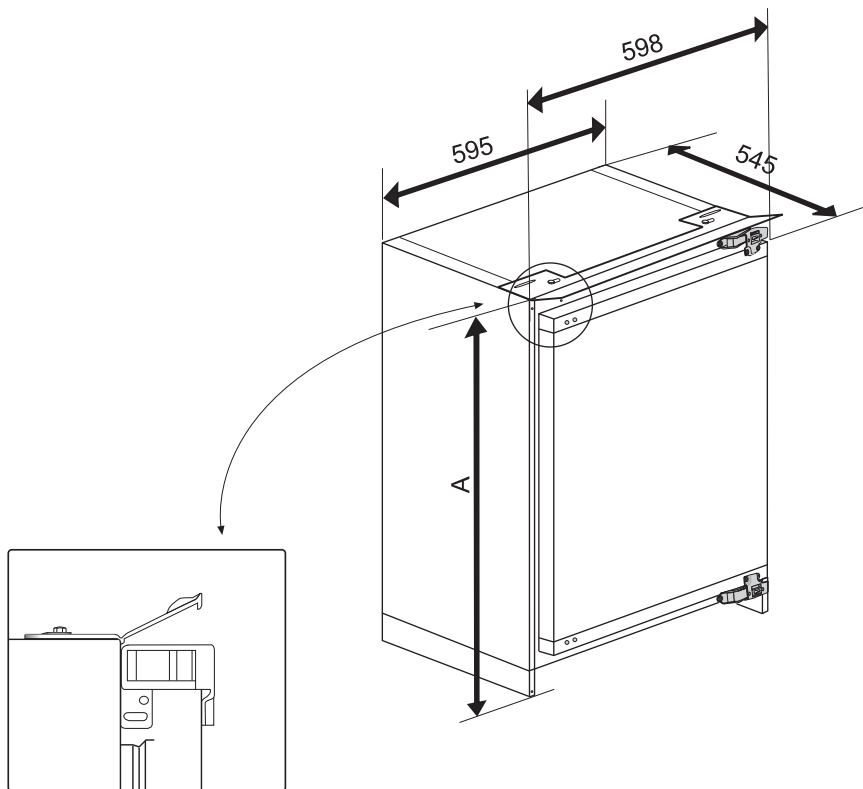
tr  
en  
de  
fr  
nl  
da  
es  
pt  
sv  
fi  
no  
el

Montaj Talimatları  
Installation instructions  
Hinweise zur installation und zum aufstellungsort  
Instructions d'installation  
Aanwijzingen voor de installatie  
Installation  
Instrucciones de instalación  
Instruções de instalação  
Installationsanvisningar  
Asennusohjeet  
Installasjon  
Οδηγίες εγκατάστασης



Not:

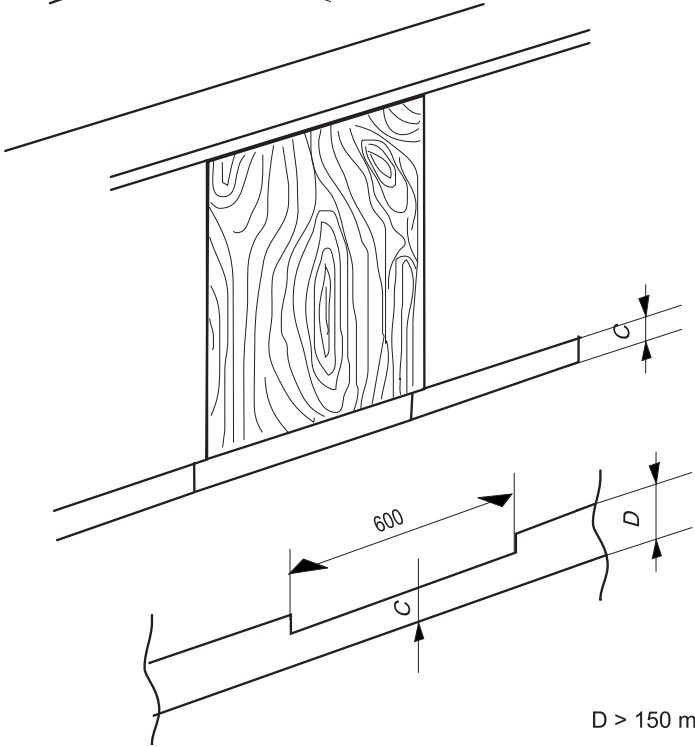
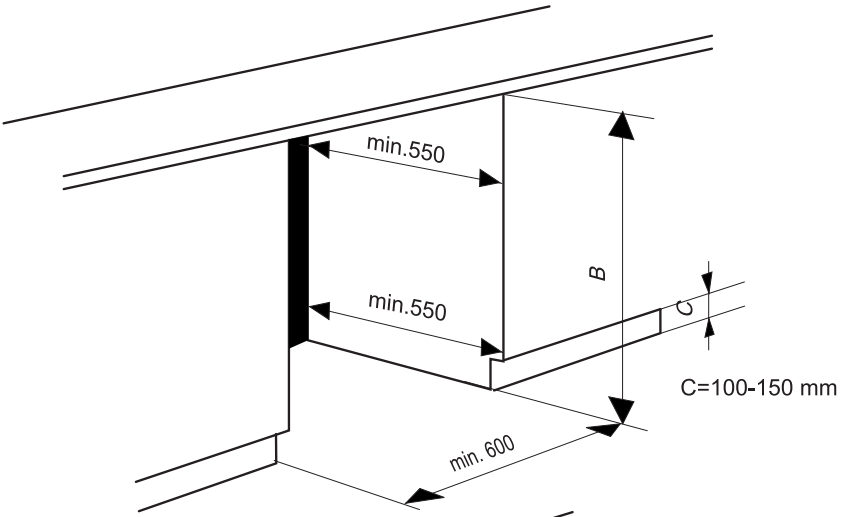


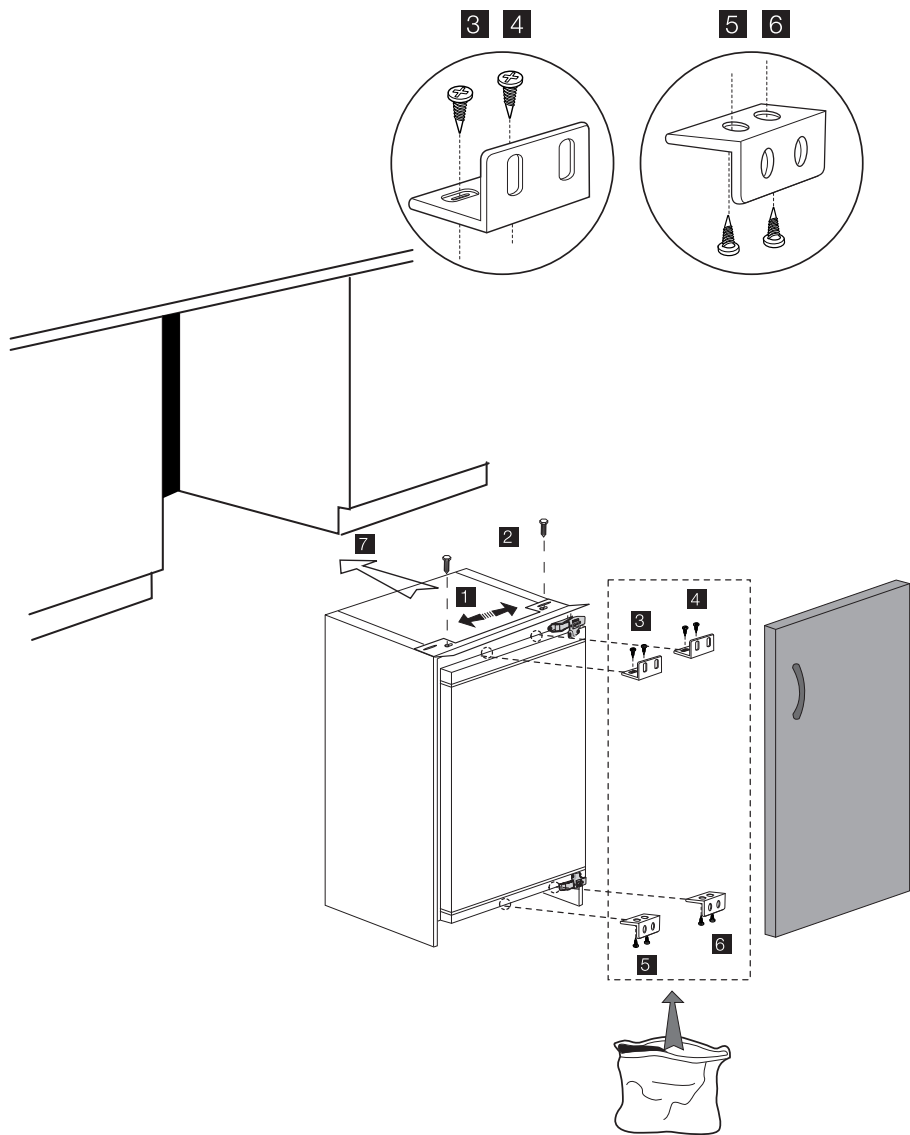


A (mm)	813 - 863 mm
B (mm)	820 - 870 mm
C (mm)	100 - 150 mm

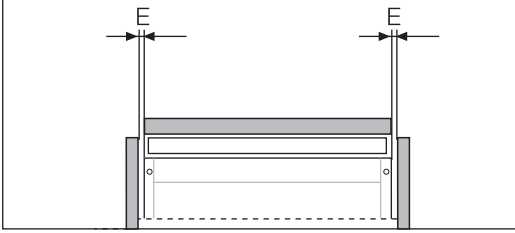
**Note**

- 1) Height of the product can be adjusted by the help of adjustable feet (front and back) to fit the furniture niche height (B).
- 2) Do not operate this appliance until it has been installed in the furniture.

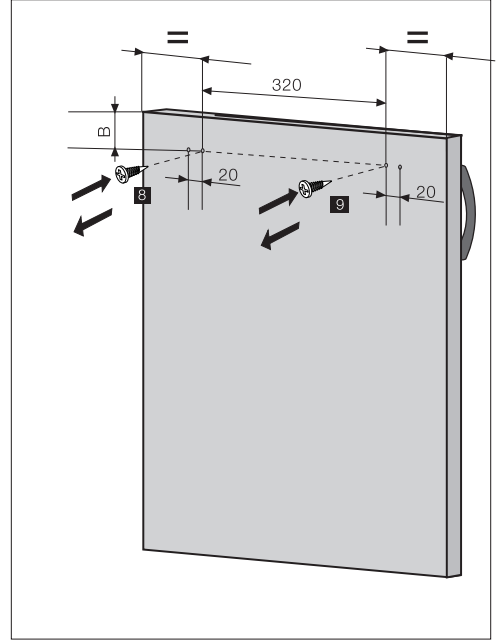
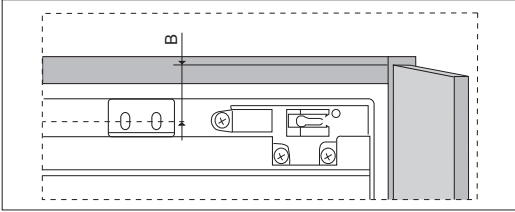




**Top view** E = 1,5 mm is recommended.



**Front view** B = 25 mm minimum.



**Note:**

1. These dimensions are valid for products, which are hinged on right hand side.
2. When door opening direction is reversed, mirror image of this instruction should be considered. That is, dimensions should be considered for opposite sides.

**Not:**

1. Bu ölçüler ürün kapısı sağdan menteşeli durum için geçerlidir.
2. Kapı açma yönü değiştirildiğinde bu sayfanın ayna görüntüsü dikkate alınmalıdır.

